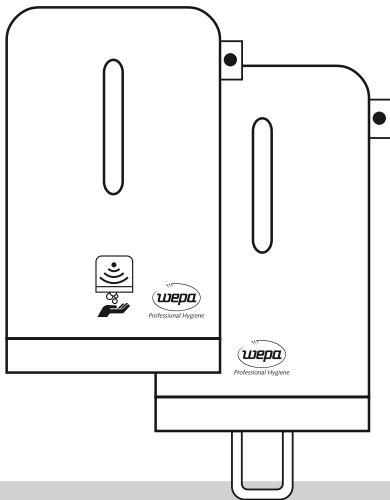


i



Professional Hygiene



manual + sensor soap/foam dispenser **mini**

Manueller/Sensor-Seifen/
Schaumseifen-Spender Mini

Distributeur savon/
savon mousse manuel /Sensor Mini

Dozownik do mydła w pianie/pianie Mini

ASSEMBLY INSTRUCTIONS

+ 331530.2

Art. No.: 331540.2



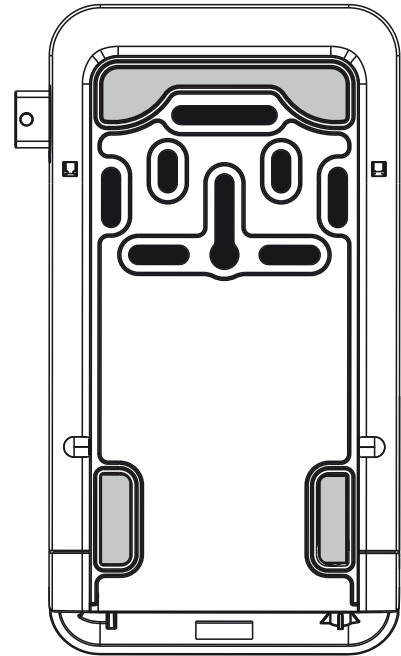
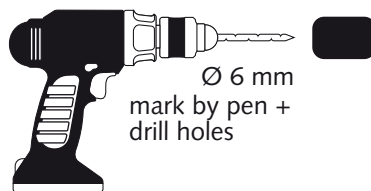
Supplied

4x 6 mm

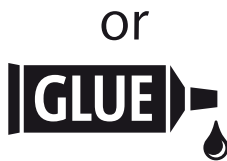
4x 3,5 mm x 30 mm

1x Magic Ring

Assembly



Needed tools



to exchange the bag



adjust the bag with its label on the back to ensure the view of the filling level

adjust clip between angles

minimum distance to plate > 20 cm

For a problem-free operation use only WEPA Professional OEM consumables

www.wepa-professional.de



WEPA Professional GmbH

Rönkhauer Straße 26
D-59757 Arnsberg GERMANY

tel: +49 (0) 2932-307-0
fax: +49 (0) 2932-307-8040

www.wepa-professional.de
E-Mail: wepro@wepa.de

i

manual + sensor soap/foam dispenser **mini**

ASSEMBLY INSTRUCTIONS



Professional Hygiene



+ 331530.2

Art. No.: 331540.2

WEPA Professional
soap for use
foam soap

Art.-No. 331380

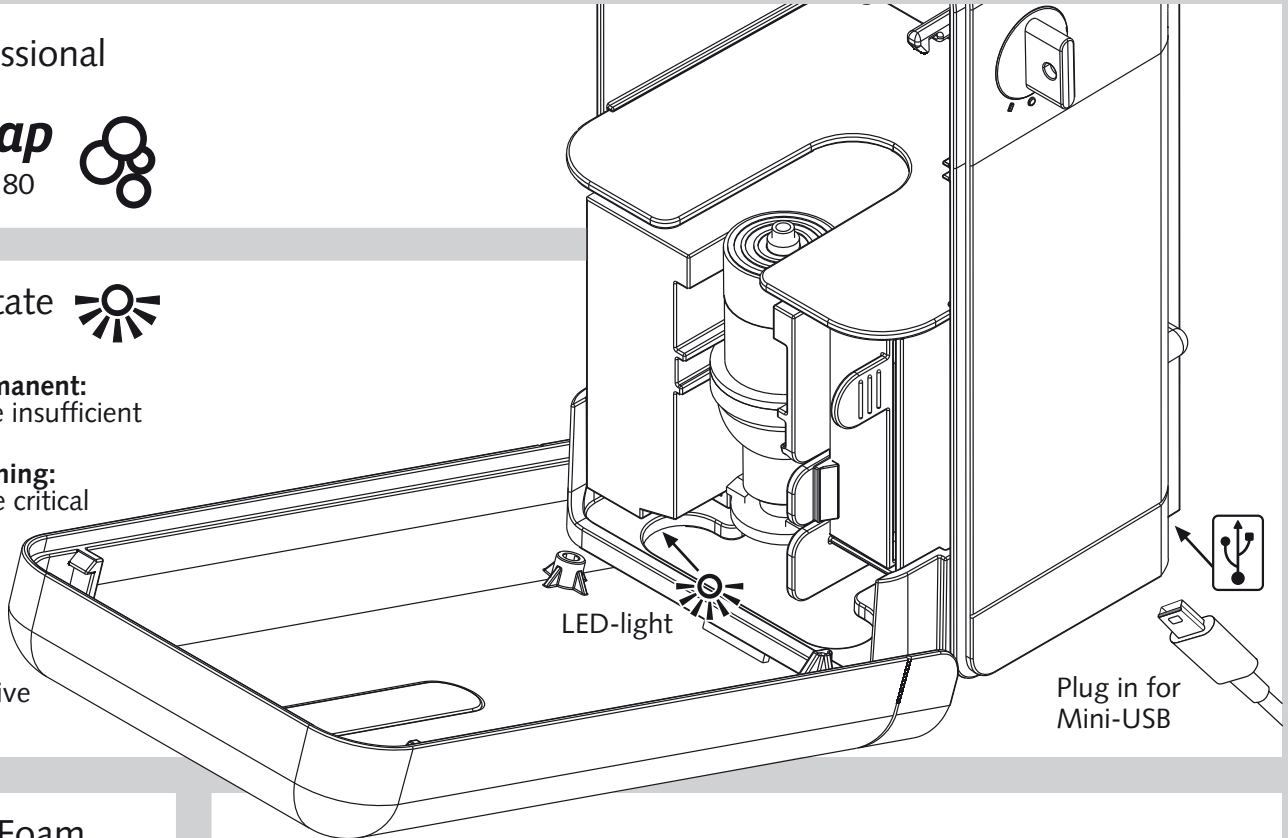


Operating state



Art.-No.: 331530

- ▶ **Red light permanent:**
Battery charge insufficient
- ▶ **Red light flashing:**
Battery charge critical
- ▶ **Blue light:**
Cover open
- ▶ **White light:**
Dispenser active



LED-light

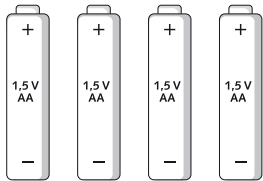
Plug in for
Mini-USB

Sensor Soap/Foam Dispenser Mini

Art.-No.: 331530

Battery use

4x Only use type No.:
1,5 V Type AA

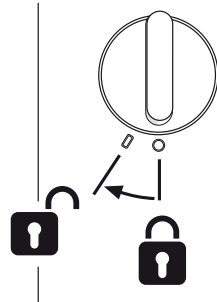


Optional:
Mini-USB mode
external accessory part

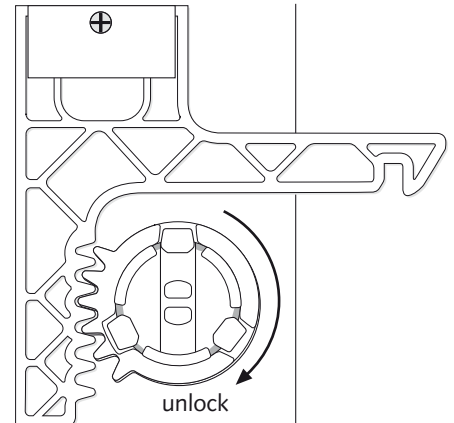
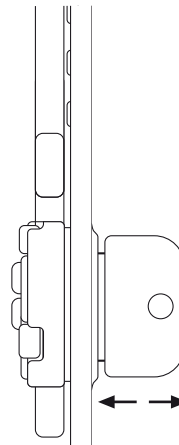
Mini-USB
5V / 1000 mA



Key-Lock

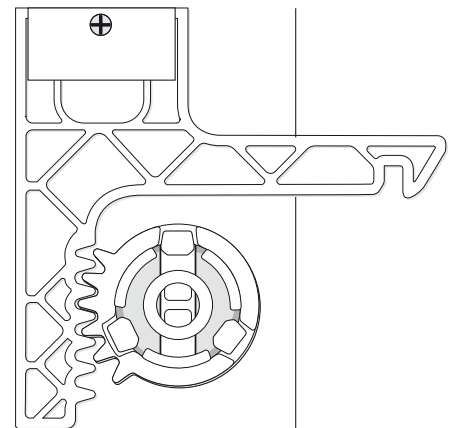
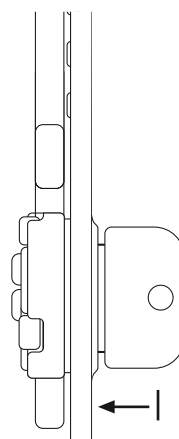
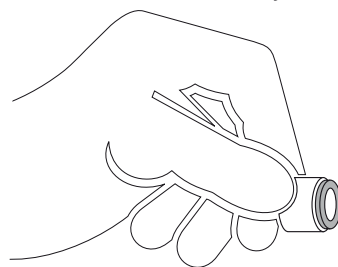


Standard Lock



Permanent Key

adjust Magic Ring with red
side in front to lock the key



Video
„Mounting and
Locking System“