

AutoCut dispenser midi

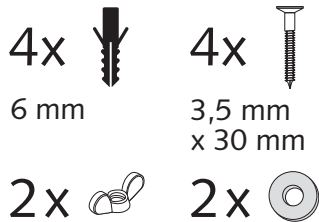
AutoCut -Spender midi
Distributeur AutoCut midi
Dozownik AutoCut midi

ASSEMBLY INSTRUCTIONS

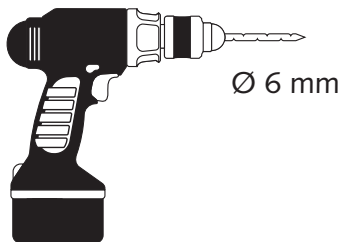


Art. No.: **331520.1**

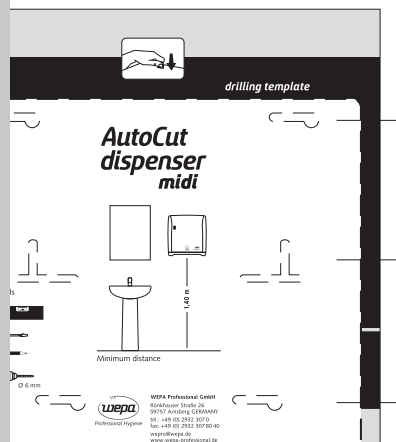
Supplied



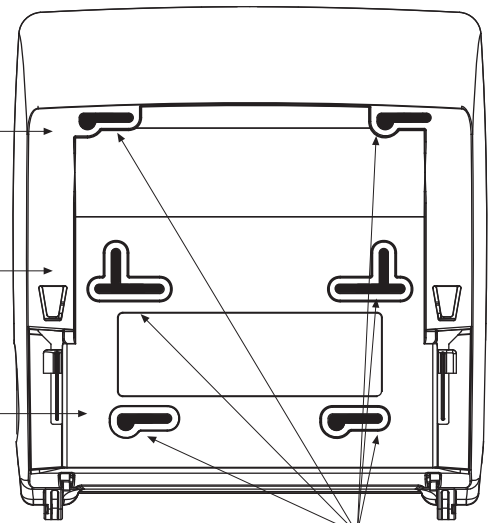
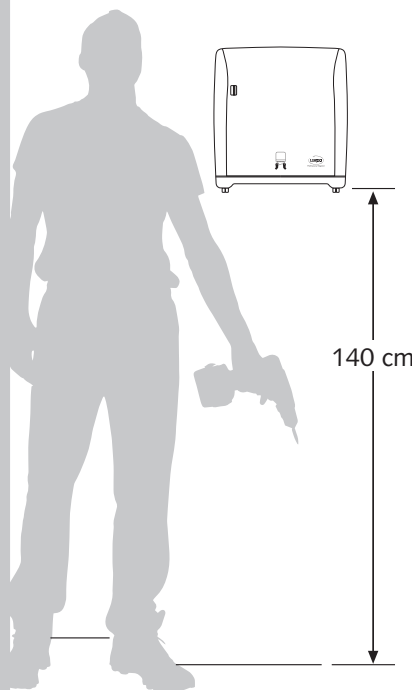
Needed tools



Assembly



Preferred distance



1. Cut off the drilling template from the backside of the dispenser-box
2. Fix the template at preferred position

3.  Ø 6 mm

mark by pen + drill holes

For a problem-free operation
use only WEPA Professional
OEM consumables



www.wepa-professional.de

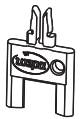
Key-Lock

Press down the key to open the dispenser.



Remove the key and fold the front cover against the back plate.

Dispenser is locked.



Keep key safe.

Operation

1

Put WEPA Professional hand towel roll over the cylinder and hook it into the lateral roll holders.

2

Thread paper behind the web guide.

3

Then lead the paper from the front on the cutting roller.

4

Turn the lateral knob clockwise until the paper is coming out from the bottom of the dispenser.

No paper towel to see? – Turn lateral knob clockwise!

5

Close the front door and pull the paper down

Just pull down with both hands!

