

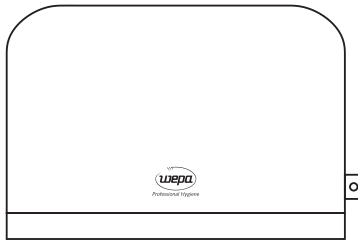
# i



Professional Hygiene

# single sheet toilet paper dispenser

Einzelblatt Toilettenpapier Spender  
Distributeur papier toilette feuille unique  
Dozownik Papier Toaletowy w Listkach



**ASSEMBLY  
INSTRUCTIONS**

Art. No.: **331480.1**

## Supplied

2x 6 mm

2x 3,5 mm  
x 30 mm

1x Magic Ring

## Needed tools

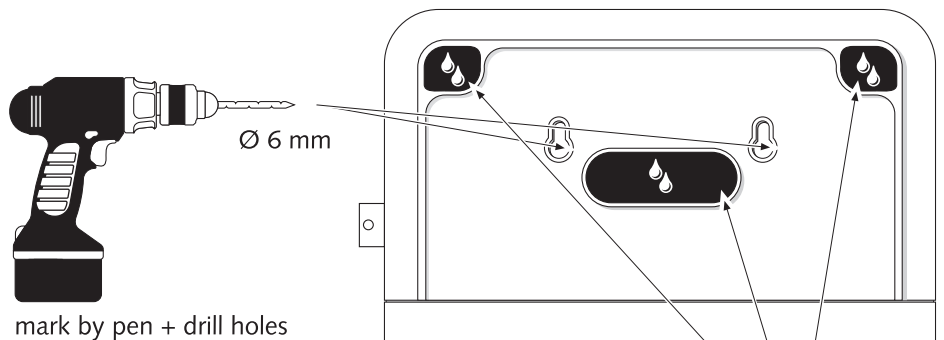


Ø 6 mm

or

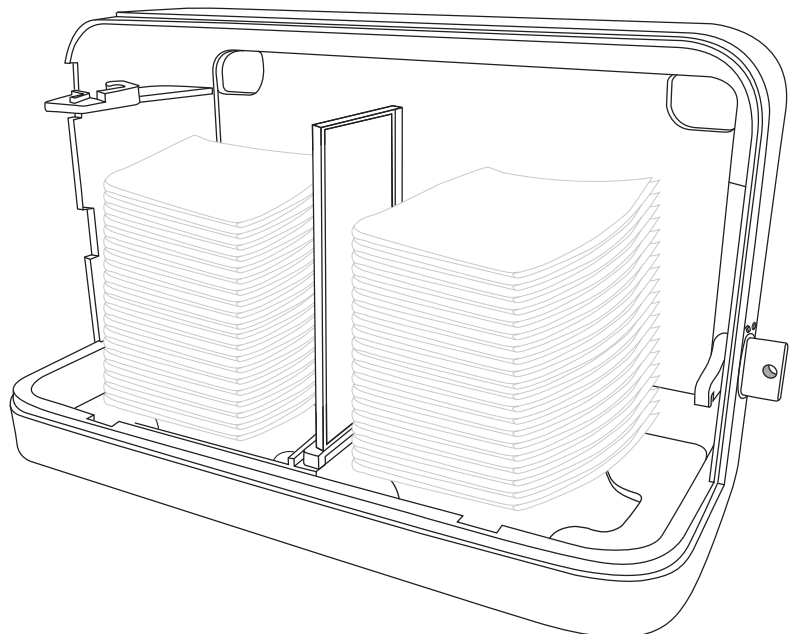


## Attachment



mark by pen + drill holes

or glue



For a problem-free operation  
use only **WEPA Professional**  
OEM consumables

[www.wepa-professional.de](http://www.wepa-professional.de)



**WEPA Professional GmbH**

Rönkhauser Straße 26  
D-59757 Arnsberg GERMANY

tel: +49 (0) 2932-900 59-0  
fax: +49 (0) 2932-900 59-8040

[www.wepa-professional.de](http://www.wepa-professional.de)  
E-Mail: [wepro@wepa.de](mailto:wepro@wepa.de)

**i**

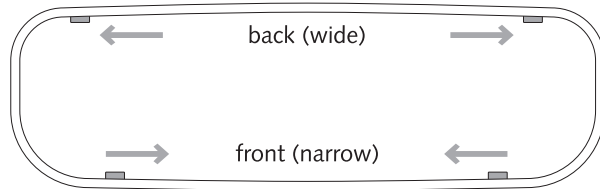
# single sheet toilet paper dispenser



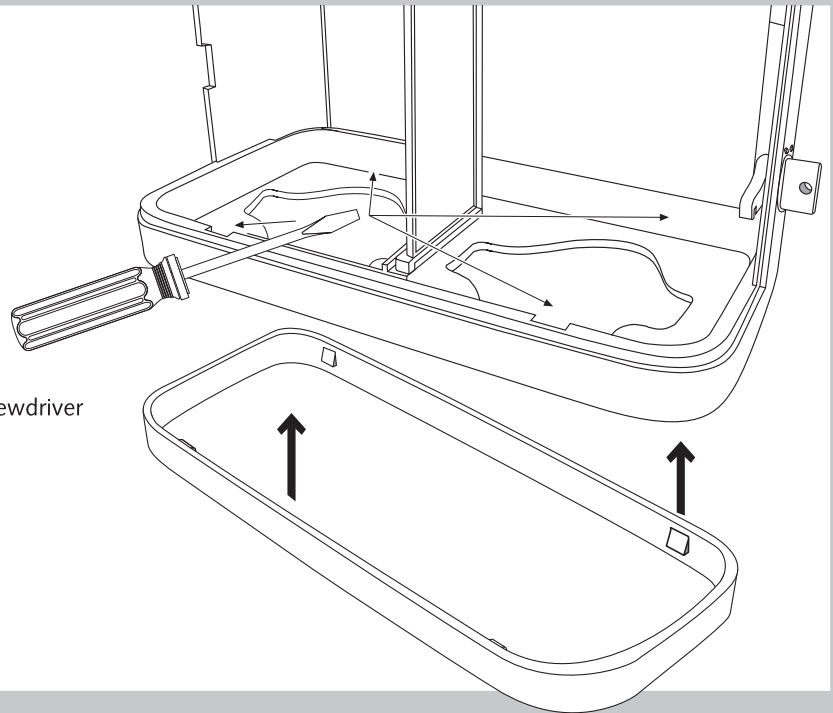
Professional Hygiene

**ASSEMBLY INSTRUCTIONS****ASSEMBLY  
INSTRUCTIONS**Art. No.: **331480.1**

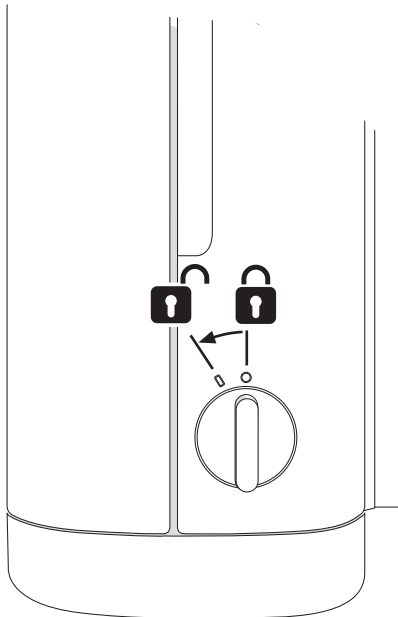
## design-ring



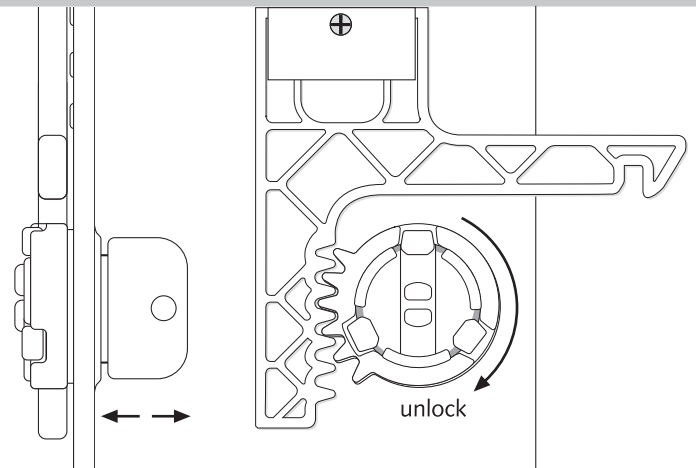
to remove, use screwdriver



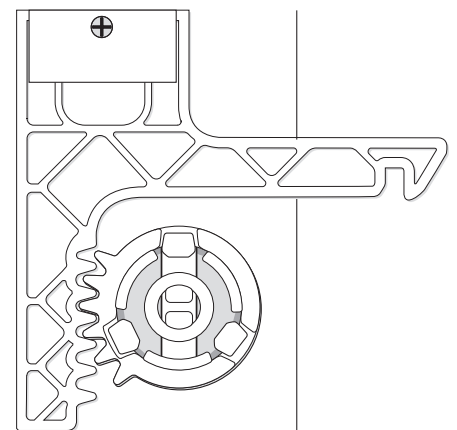
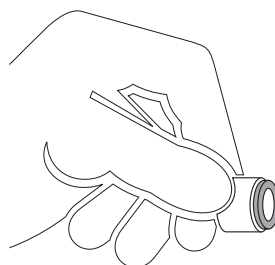
## Key-Lock



### Standard Lock



### Permanent Key

adjust Magic Ring with red  
side in front to lock the key**Video**  
„Mounting and Locking System“