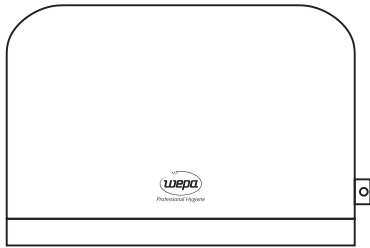


i



Professional Hygiene



folded towel dispenser mini

Falhtanduch-Spender mini

Distributeur essuie-mains pliés mini


Dozownik do ręczników składanych mini




ASSEMBLY INSTRUCTIONS

Art. No.: 331470.1

Supplied

2x 
6 mm

2x 
3,5 mm
x 30 mm

1x  Magic Ring

Needed tools

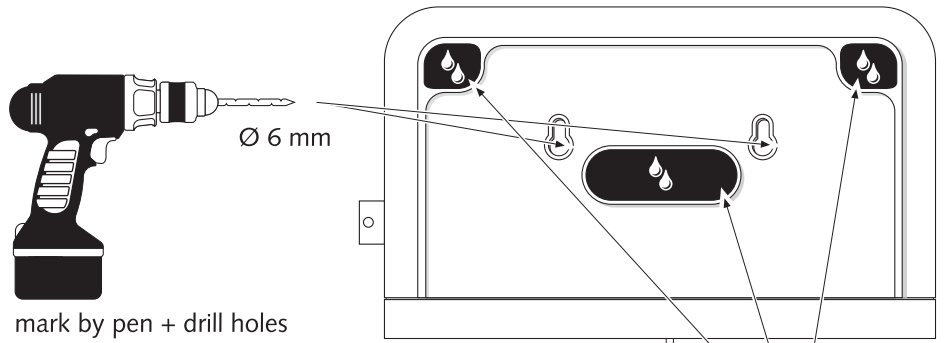


Ø 6 mm

or

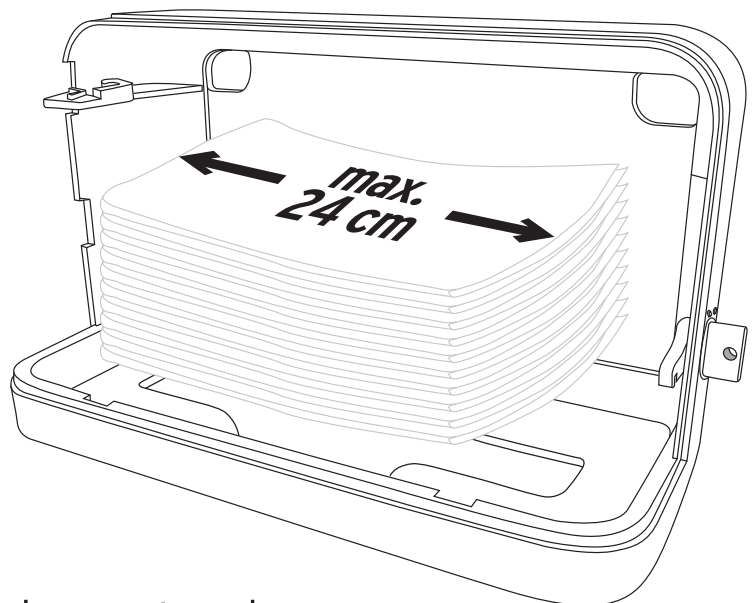


Attachment



mark by pen + drill holes

or glue 



For folded paper towels
up to a sheet width of 24cm.

For a problem-free operation
use only WEPA Professional
OEM consumables

www.wepa-professional.de





folded towel dispenser mini



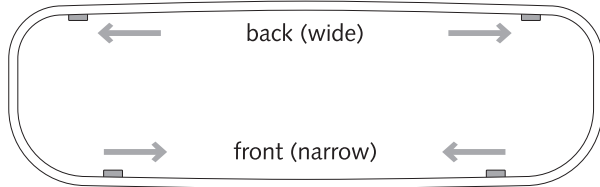
Professional Hygiene

ASSEMBLY INSTRUCTIONS

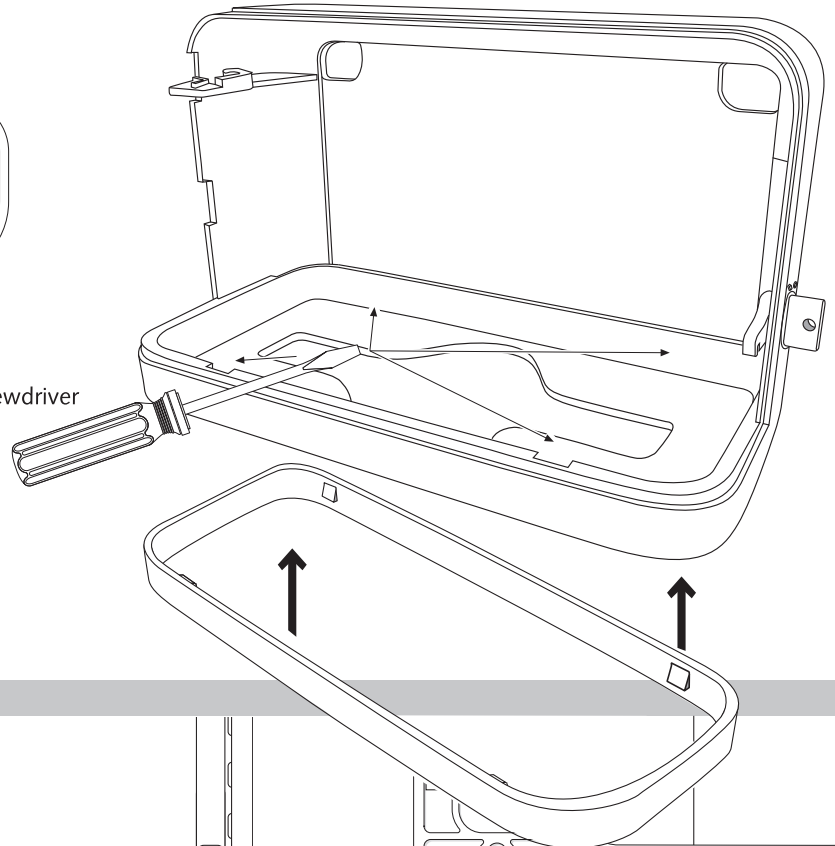
Art. No.: 331470.1



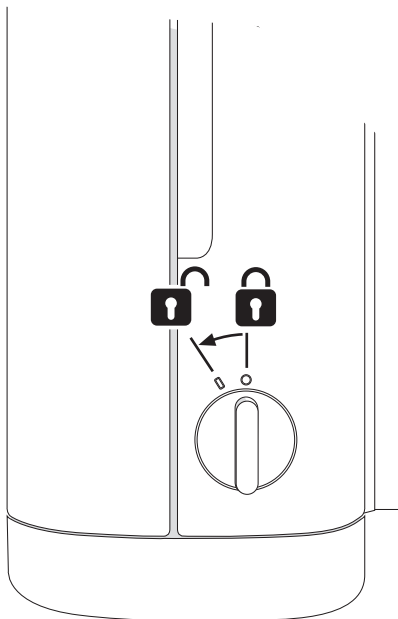
design-ring



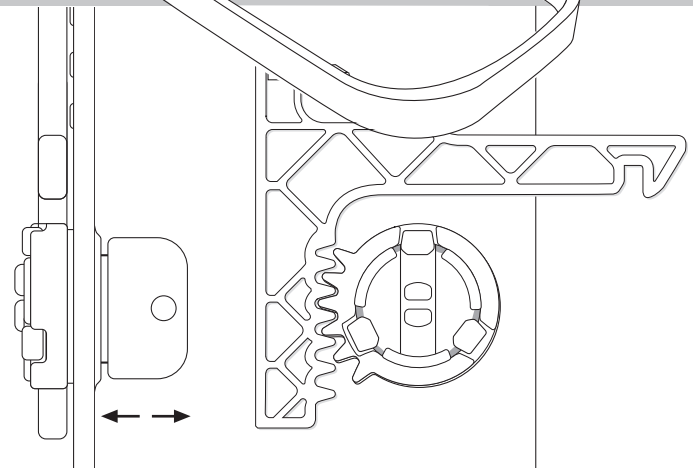
to remove, use screwdriver



Key-Lock

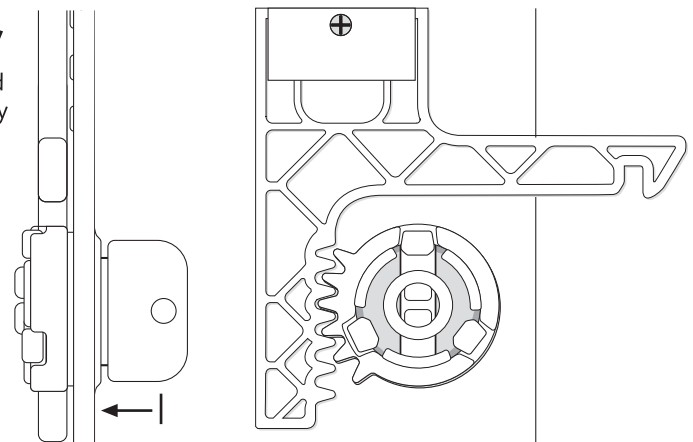
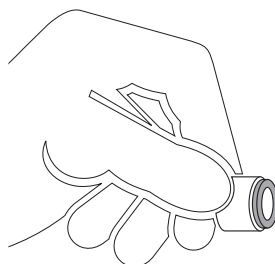


Standard Lock



Permanent Key

adjust Magic Ring with red side in front to lock the key



Video
„Mounting and Locking System“