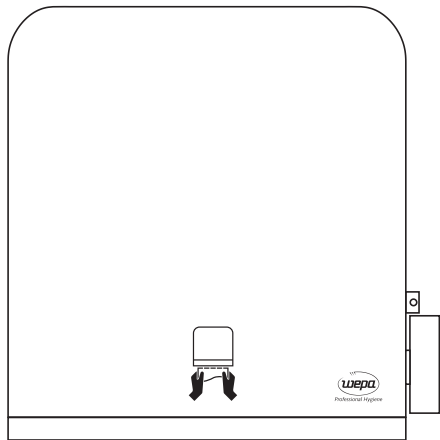


**i**

Professional Hygiene



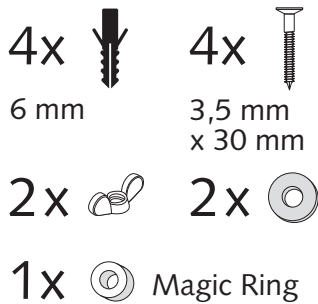
# AutoCut dispenser

AutoCut-Spender  
Distributeur AutoCut  
Dozownik AutoCut

## ASSEMBLY INSTRUCTIONS

Art. No.: **331090.4**

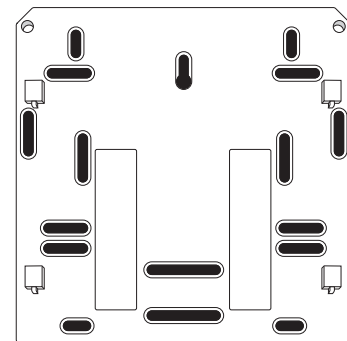
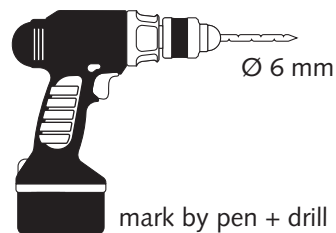
### Supplied



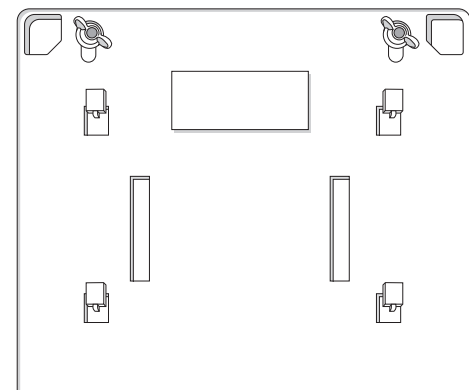
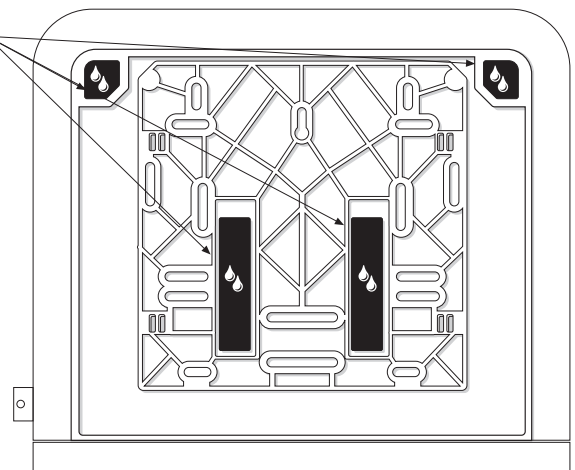
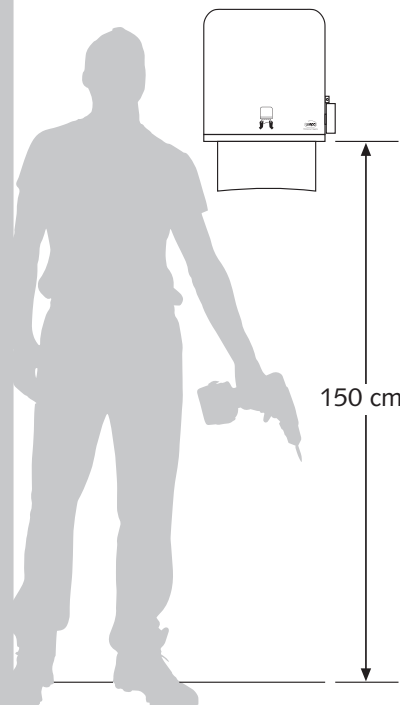
### Needed tools



### Assembly plate



### Preferred distance



hang and fix (inside)

For a problem-free operation  
use only WEPA Professional  
OEM consumables

[www.wepa-professional.de](http://www.wepa-professional.de)



**i**

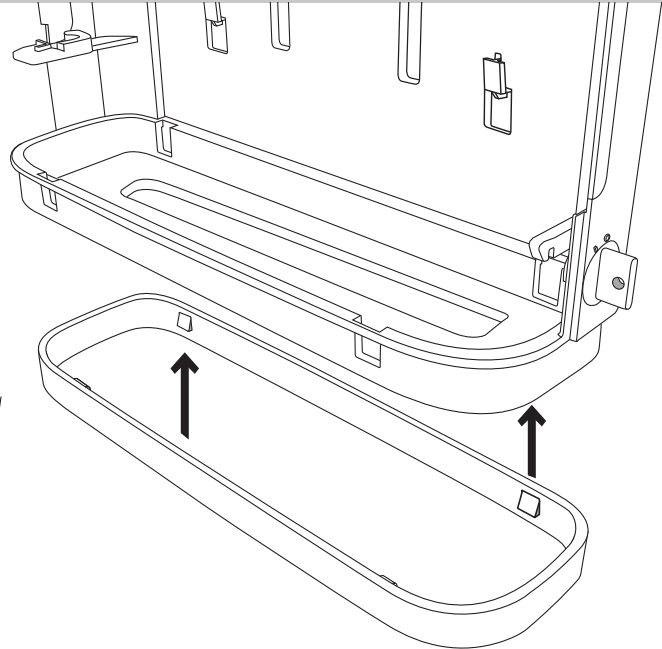
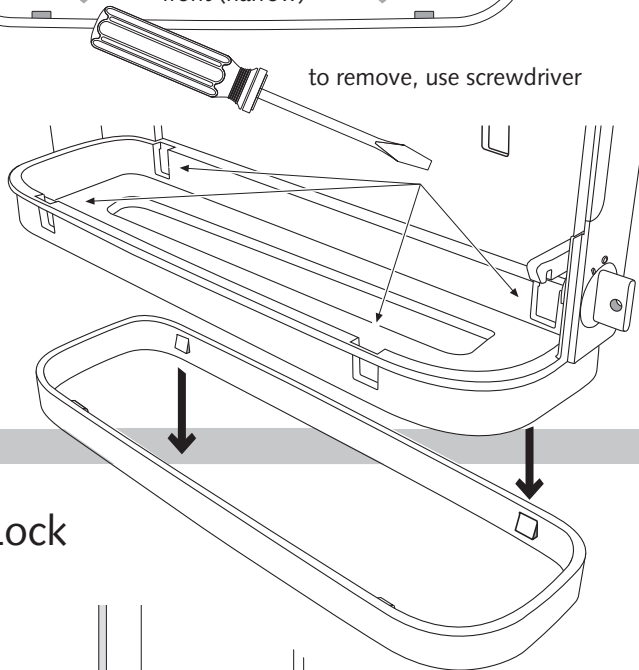
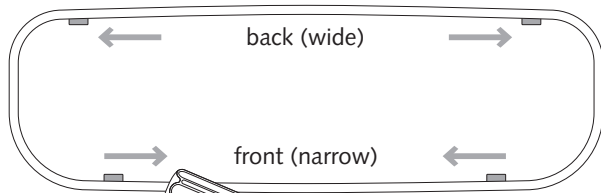
# AutoCut dispenser

**ASSEMBLY INSTRUCTIONS**

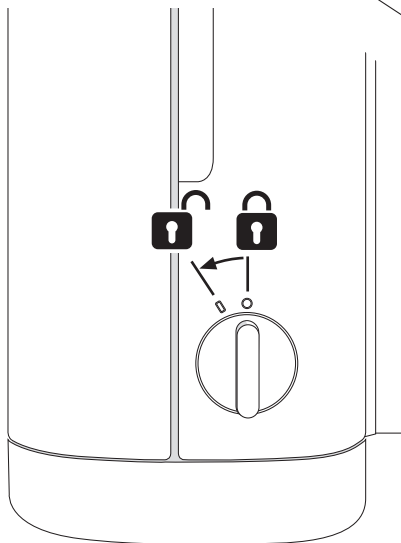
Professional Hygiene

Art. No.: **331090.4**

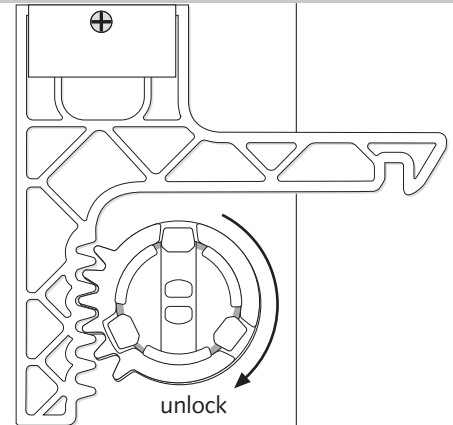
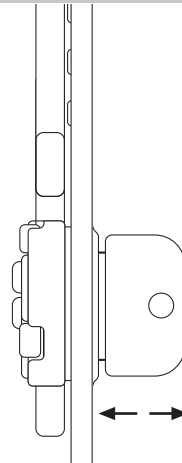
## design-ring



## Key-Lock

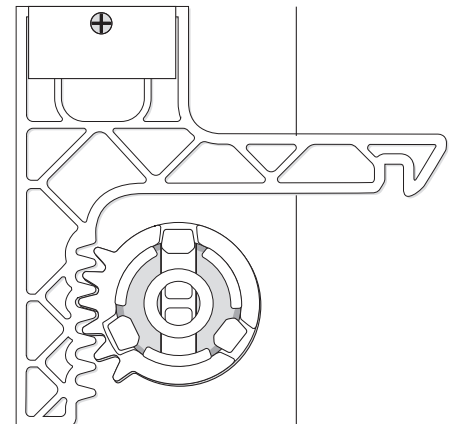
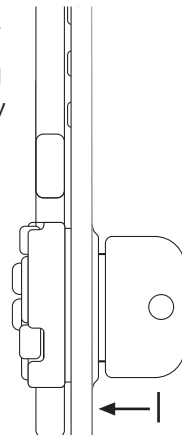
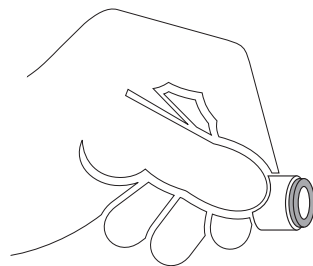


### Standard Lock



### Permanent Key

adjust Magic Ring with red side in front to lock the key



**i**

# AutoCut dispenser

**ASSEMBLY INSTRUCTIONS**

**wepa**  
Professional Hygiene

Art. No.: **331090.4**

## Operation

