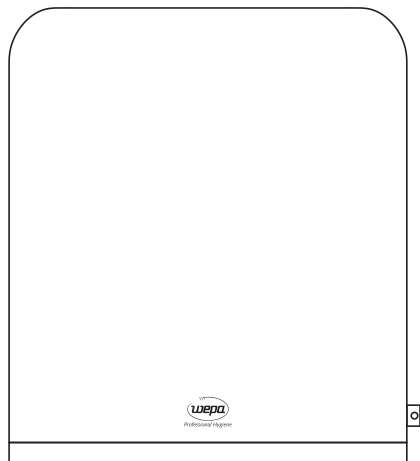


i



Professional Hygiene



# sensor towel dispenser

Sensor-Handtuch-Spender

Distributeur Sensor essuie-mains

Dozownik do ręczników z czujnikiem Sensor

## ASSEMBLY INSTRUCTIONS



Art. No.: 331070.2

### Supplied

- 4x 6 mm
- 4x 3,5 mm x 30 mm
- 2x 2x
- 1x Magic Ring

### Needed tools

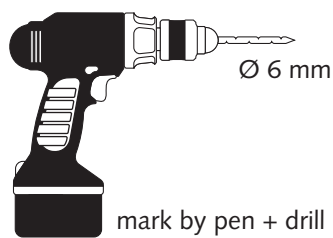


Ø 6 mm

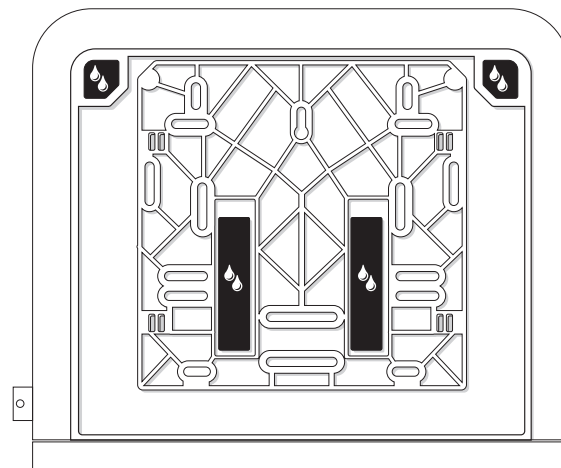
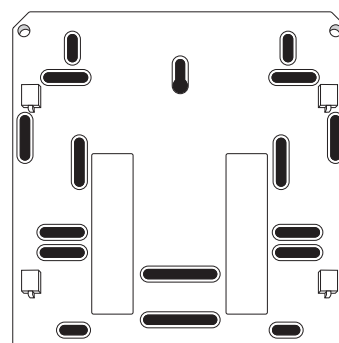
or



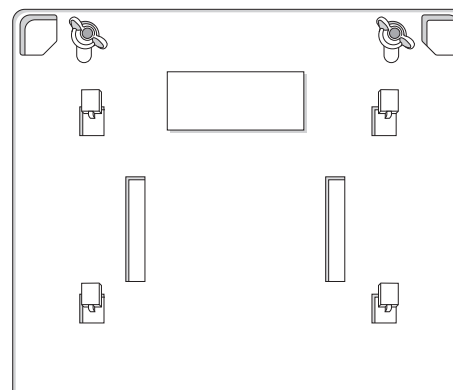
### Assembly plate



mark by pen + drill holes



or glue



hang and fix (inside)

For a problem-free operation use only WEPA Professional OEM consumables

[www.wepa-professional.de](http://www.wepa-professional.de)





# sensor towel dispenser

## ASSEMBLY INSTRUCTIONS

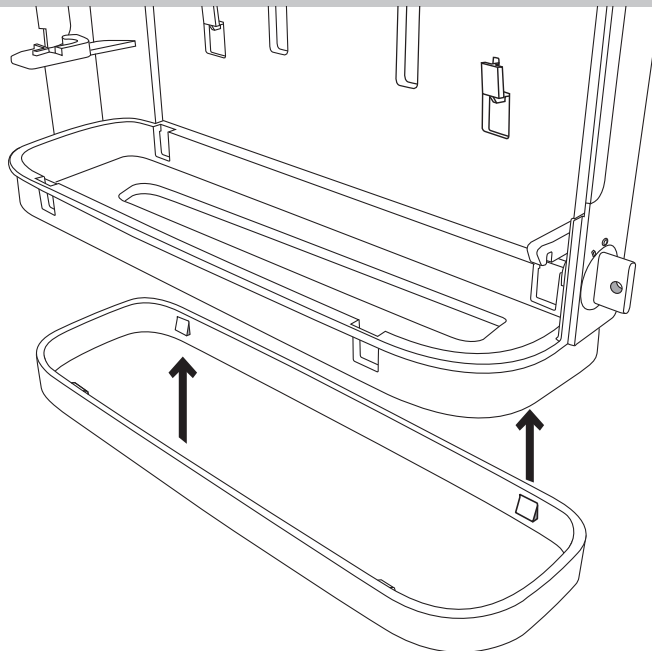
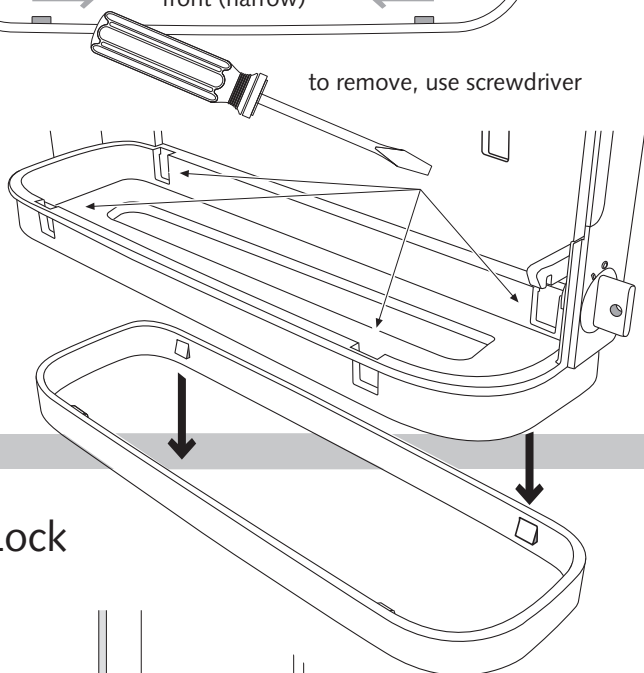
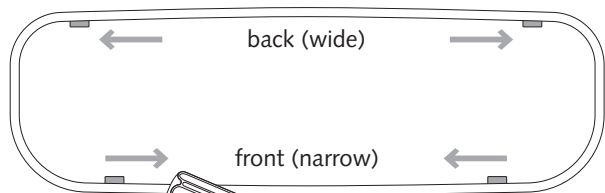


Professional Hygiene

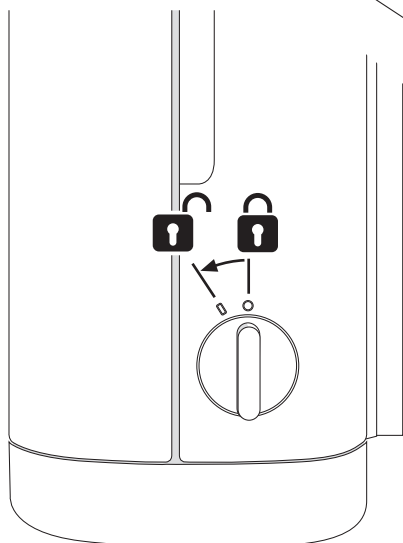


Art. No.: 331070.2

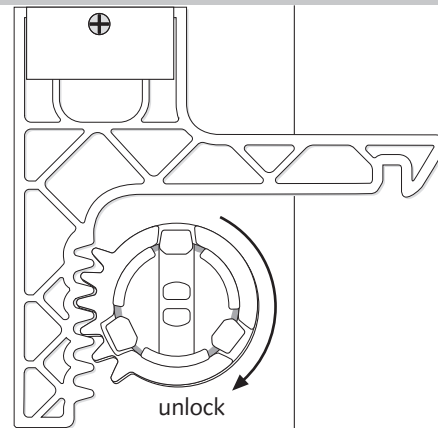
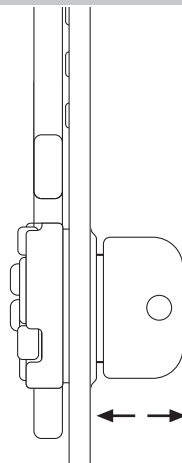
### design-ring



### Key-Lock

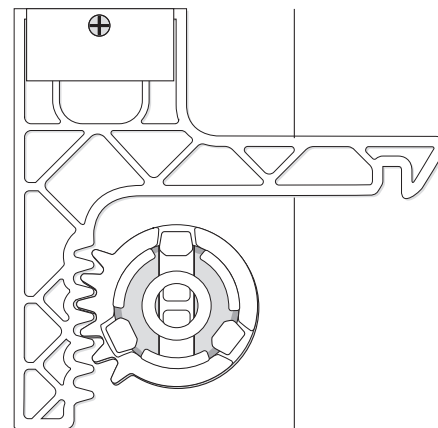
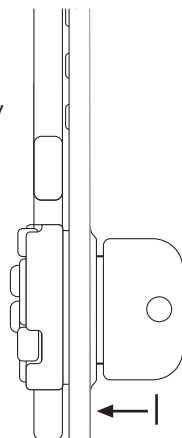
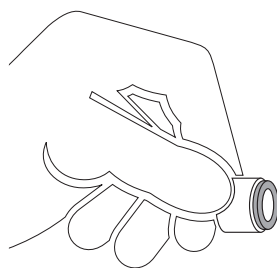


#### Standard Lock



#### Permanent Key

adjust Magic Ring with red side in front to lock the key





# sensor towel dispenser

## ASSEMBLY INSTRUCTIONS

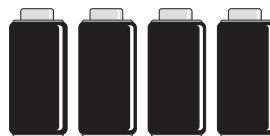
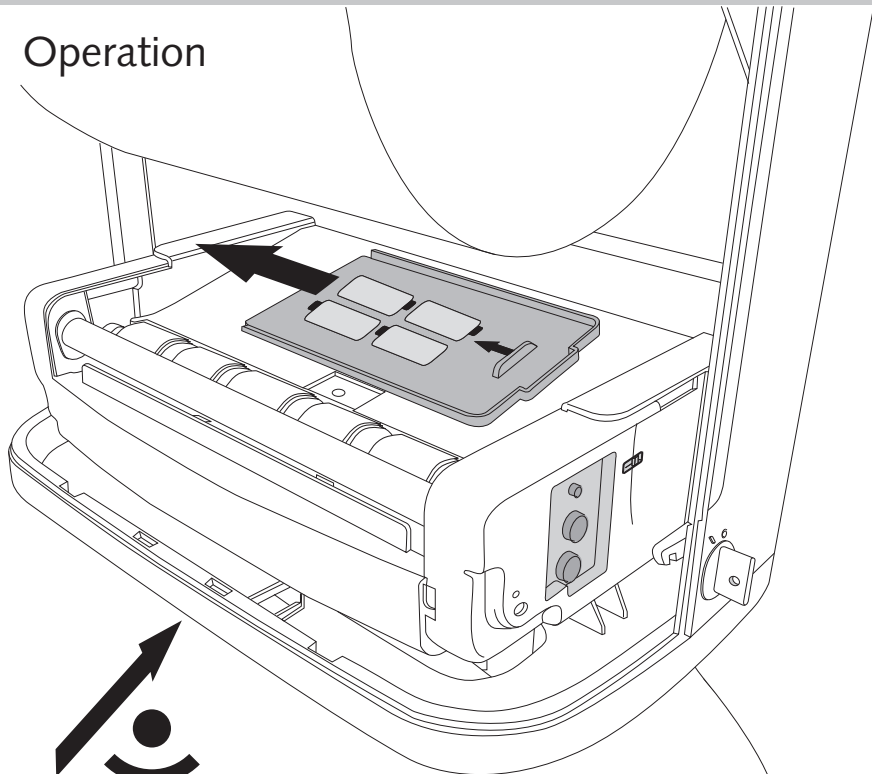


Professional Hygiene



Art. No.: 331070.2

### Operation



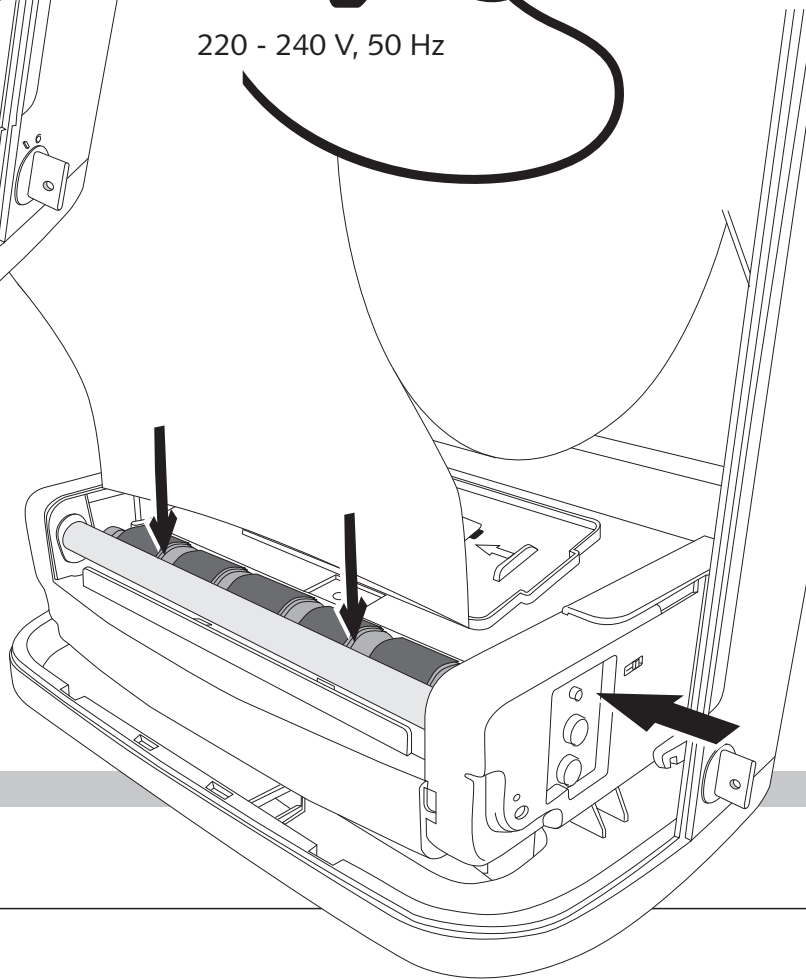
4x  
1,5 V, Alkaline D



220 - 240 V, 50 Hz



fill in paper between black and white roll while feeding, press feed-button



### Function

