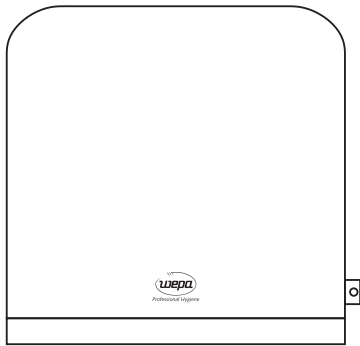


i

Professional Hygiene



interfold towel dispenser

*Falhandtuch-Spender-Interfold**Distributeur essuie-mains pliés Interfold**Dozownik do ręczników składanych Interfold*

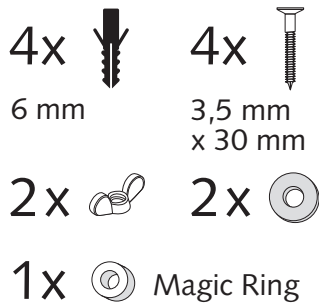
ASSEMBLY INSTRUCTIONS

+ 331030.3

Art. No.: 331400.3



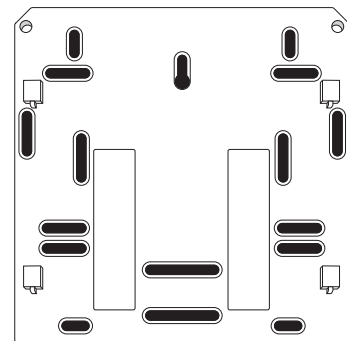
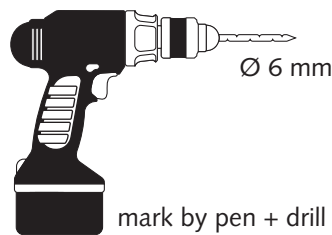
Supplied



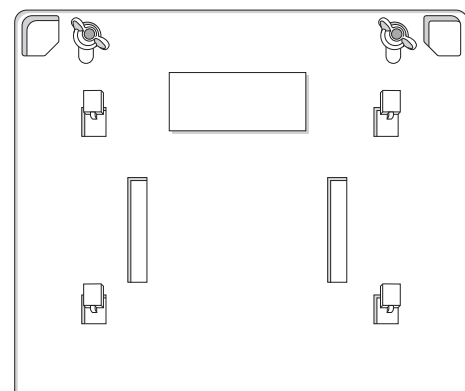
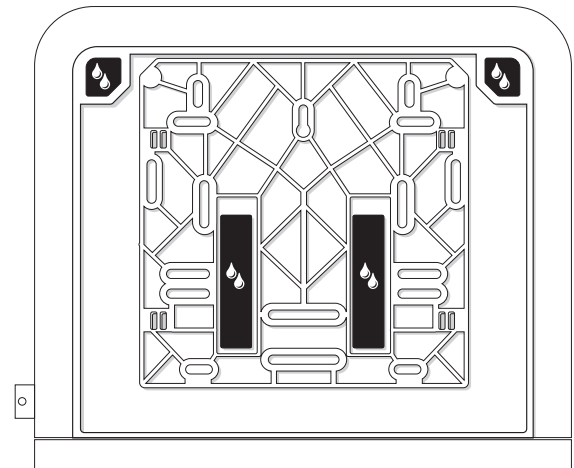
Needed tools



Assembly plate



or glue



hang and fix (inside)

For a problem-free operation
use only WEPA Professional
OEM consumables

www.wepa-professional.de



i

interfold towel dispenser ASSEMBLY INSTRUCTIONS



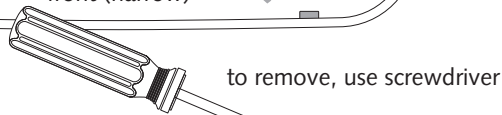
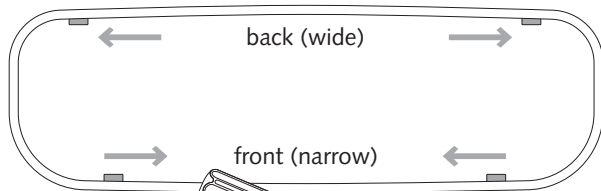
Professional Hygiene

+ 331030.3

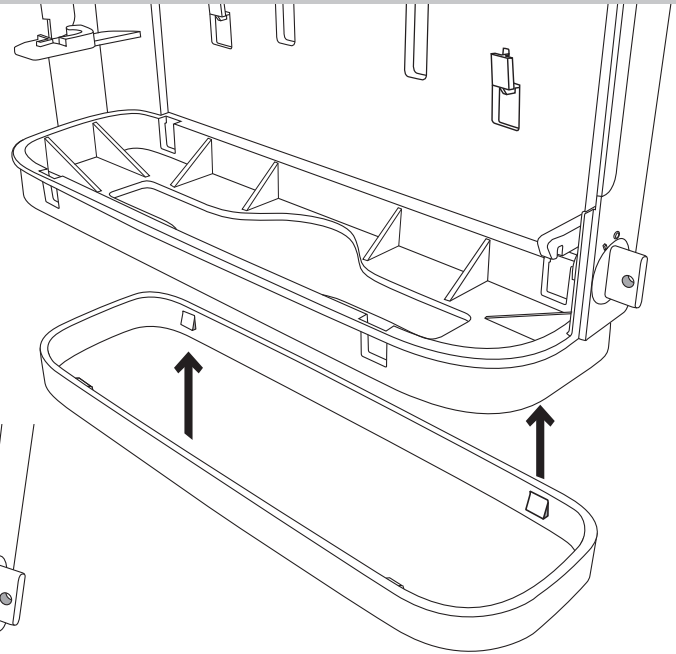
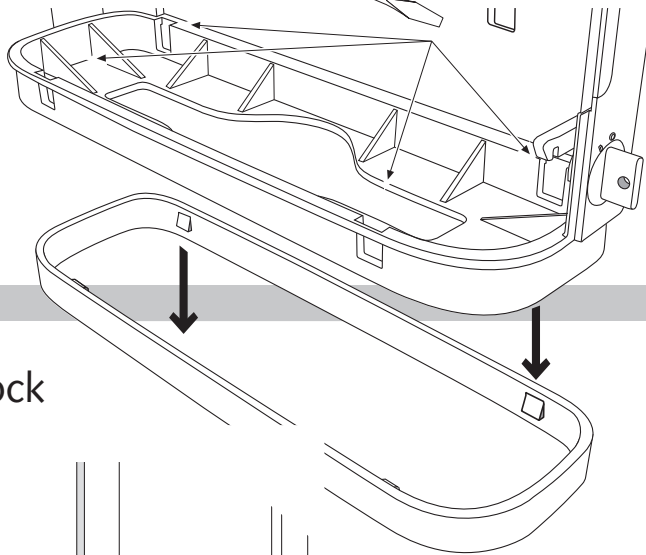
Art. No.: 331400.3



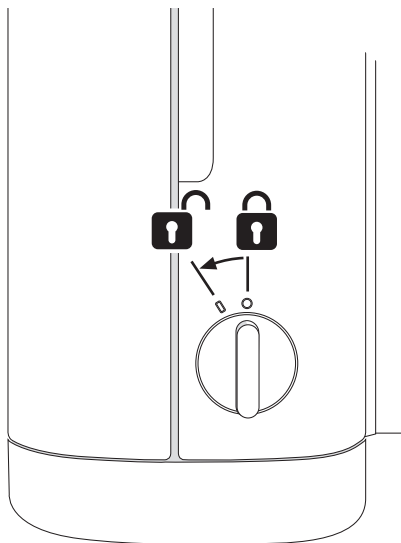
design-ring



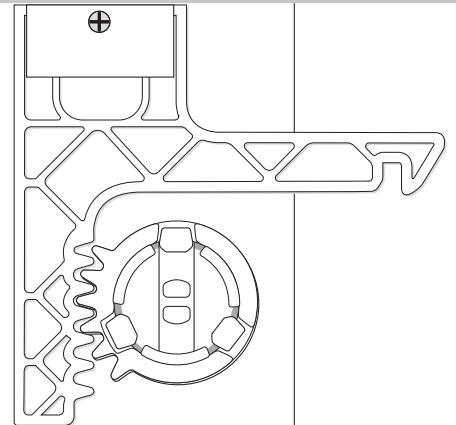
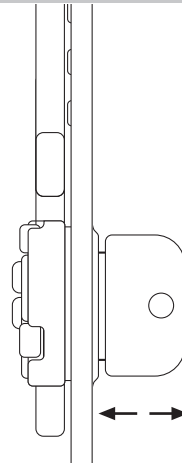
to remove, use screwdriver



Key-Lock



Standard Lock



Permanent Key

adjust Magic Ring with red side in front to lock the key

