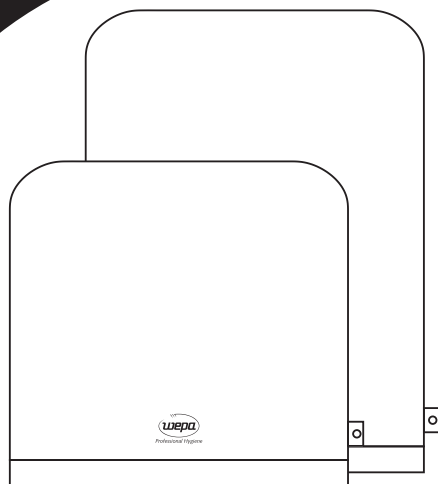


i**wepa**

Professional Hygiene



folded towel dispenser

Falthandtuch-Spender

Distributeur essuie-mains pliés

Dozownik do ręczników składanych

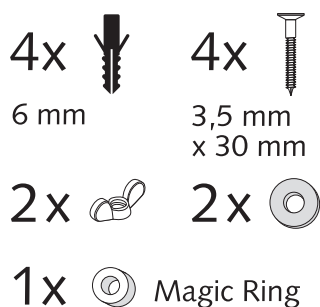
ASSEMBLY INSTRUCTIONS

+ 331010.3

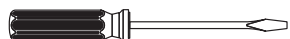
Art. No.: 331020.3



Supplied



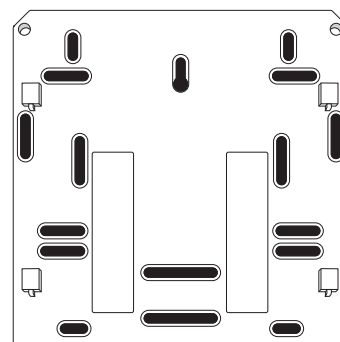
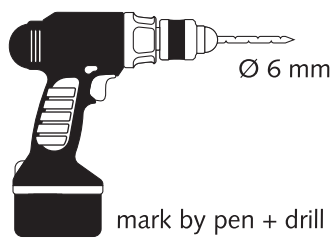
Needed tools



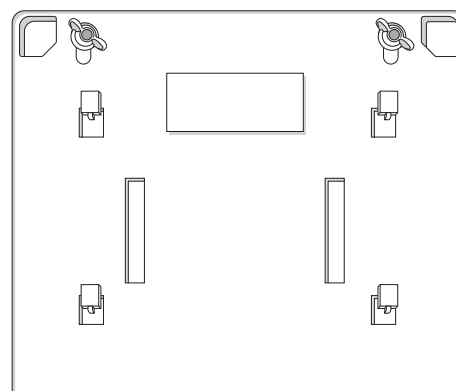
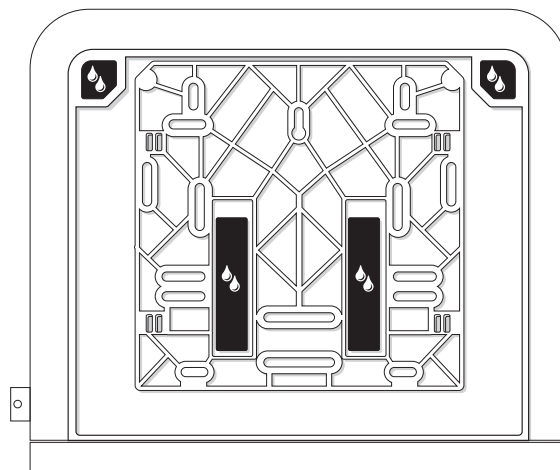
or



Assembly plate



or glue



hang and fix (inside)

For a problem-free operation
use only **WEPA Professional**
OEM consumables

www.wepa-professional.de





folded towel dispenser

ASSEMBLY INSTRUCTIONS



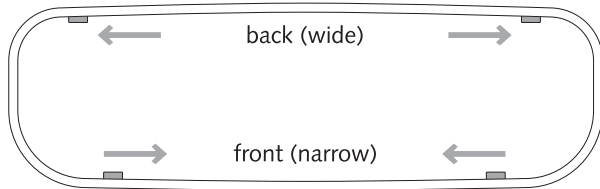
Professional Hygiene



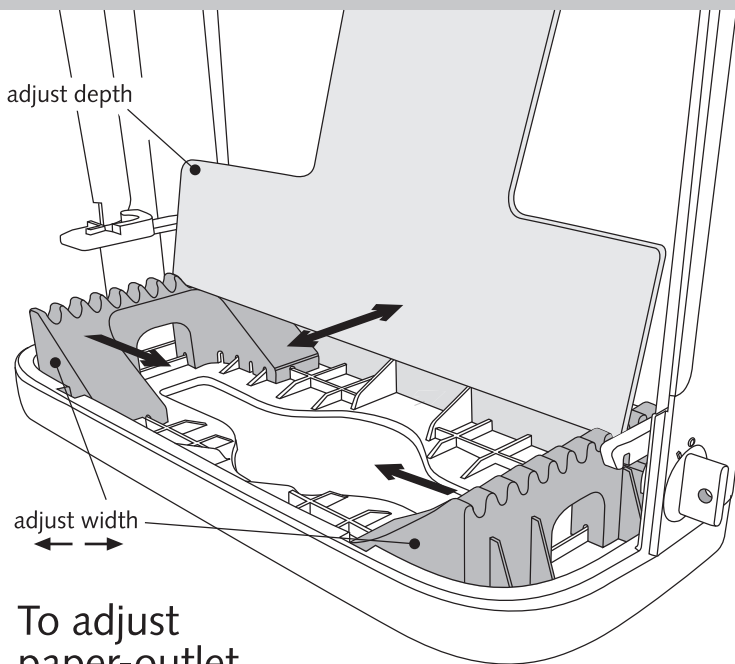
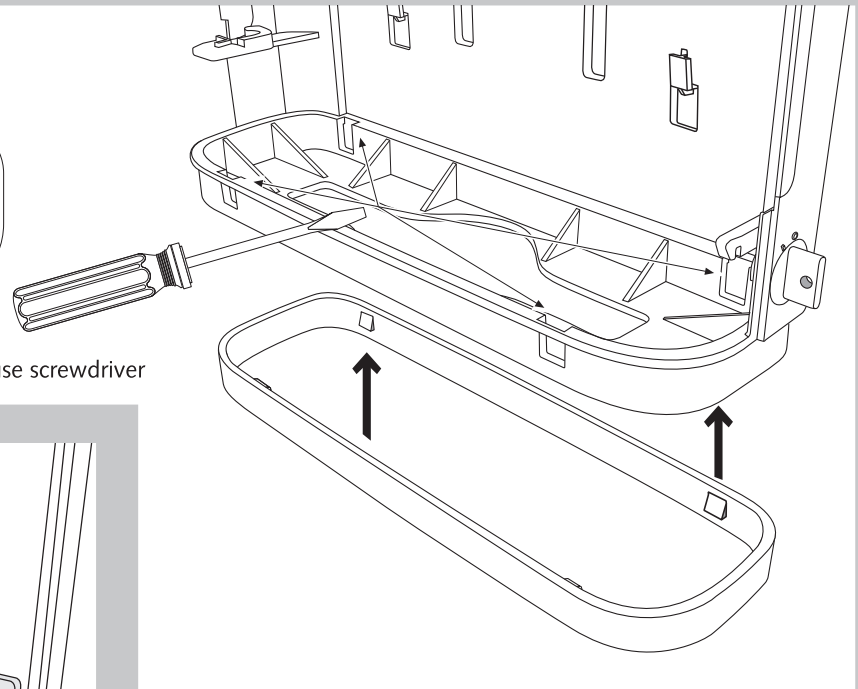
+ 331010.3

Art. No.: 331020.3

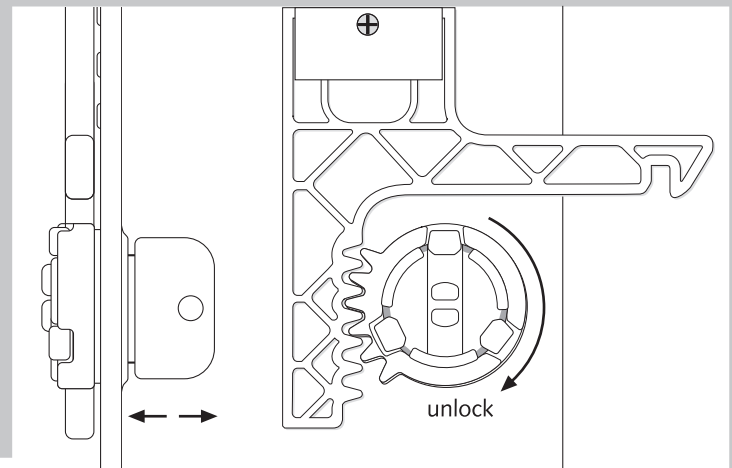
design-ring



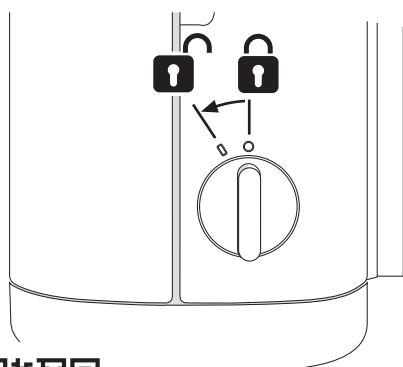
to remove, use screwdriver



To adjust paper-outlet



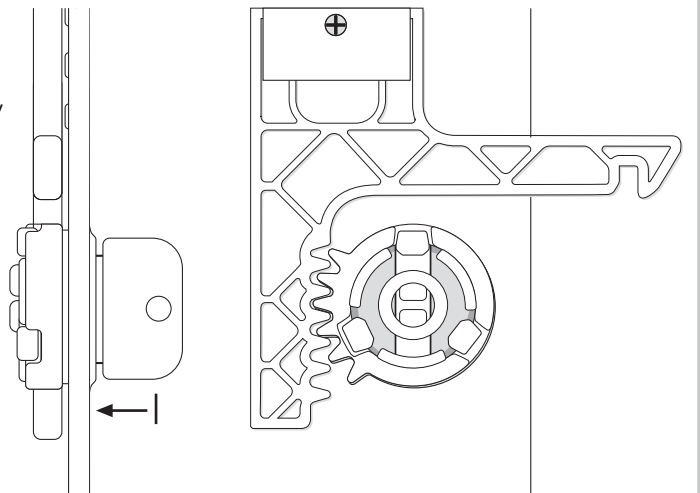
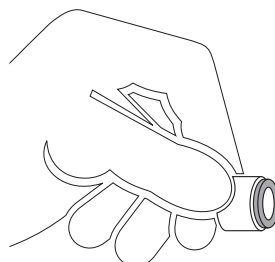
Key-Lock



Standard Lock

Permanent Key

adjust Magic Ring with red side in front to lock the key



Video
„Mounting and Locking System“